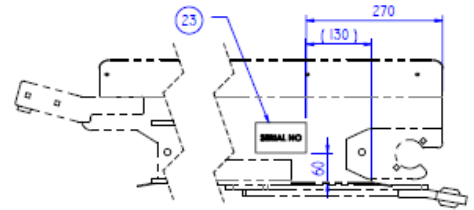


ITEM NO.	ECD-CL03M QTY.	ECD-CL03A QTY.	ECD-CL03H QTY.	PARTNO	DESCRIPTION / MATERIAL
1	1	1	1	CHD-CV03L	CONVEYOR ASSEMBLY, 1190MM, LH
2	1	1	1	CHD-CV03R	CONVEYOR ASSEMBLY, 1190MM, RH
3	1	-	-	CHD-1023K	FRONT CURTAIN (INCL. FASTENERS)
4	1	1	1	CHD-1024	FRONT CURTAIN CHAIN/SPRING ASSEMBLY
5	2	2	2	CHD-1025	REAR HOOP ASSEMBLY
6	1	1	1	CHD-1105	TOP HAT ASSEMBLY, NH
7	2	2	2	CHD-1115	DECK POSITION TURNBUCKLE (INCL. FASTENERS)
8	1	-	1	CHD-1122K	HITCH MOUNT BRACKET, CLAAS (INCL. FASTENERS)
9	1	1	1	CHD-1123LK	CONVEYOR BRKT, ADJ, LH (INCL. LATCHES, SCREWS)
10	1	1	1	CHD-1123RK	CONVEYOR BRKT, ADJ, RH (INCL. LATCHES, SCREWS)
11	1	1	1	CHD-1129K	REAR HITCH FRAME, CLAAS, ADJ (INCL. FASTENERS)
12	2	2	2	CHD-1130C	TOW HITCH BRACE, CLAAS
13	2	2	2	CHD-1133K	PANEL, LOWER SIDE, CLAAS (INCL. FASTENERS)
14	2	-	-	ECD-1156	REAR SIDE SHROUD, CLAAS 780
15	1	-	-	ECD-1157	CURTAIN ASM, CLAAS (INCL. FASTENERS)
16	-	1	1	ECD-1159K	REAR CURTAIN, CLAAS WITH HYD SPINNERS (INCL. FASTENERS)
17	1	1	1	ECD-1161K	SIDE SHROUD ASSEMBLY - SHAKER
18	-	2	2	ECD-1164	REAR SIDE SHROUD, CLAAS 700
19	-	1	1	ECD-1166	CURTAIN ASM, CLAAS 700 (INCL. FASTENERS)
20	2	2	2	ECD-1169	VIBRAMAT SHROUD ASSEMBLY (INCL. FASTENERS)
21	-	1	-	ECD-1172	HITCH MOUNT BRACKET, CLAAS (INCL. FASTENERS)
22	2	2	2	CHD-SHRD4	HOOD ASSEMBLY
23	2	2	2	ECD-SNP	SERIAL NO. PLATE
24	1	1	1	CHD-E005	SENSOR WIRING, FARMSCAN WITH FEED ROLLER WIRE
25	1	1	1	CHD-E007	CHAFF DECK WIRING ADAPTER - CLAAS SPINNER DUMMY
26	1	1	1	CHD-H002-CA	HYDRAULICS, CLAAS, CONTROL VALVE ASSEMBLY
27	1	1	1	CHD-H002-DC	HYDRAULICS, CLAAS, DECK COMPONENTS
28	1	1	1	CHD-H002-FA	HYDRAULICS, CLAAS, FILTER ASSEMBLY
29	1	1	1	CHD-H002-LC	HYDRAULICS, CLAAS, LOOSE COMPONENTS
30	1	1	1	ECD-DOC-CL03	FITTING INSTRUCTIONS - CLAAS

--- ITEMS NOT SHOWN ---

TYPICAL SERIAL NUMBER PLATE PLACEMENT (HYDRAMOTOR SIDE)



PART NUMBER	DESCRIPTION
ECD-CL03A	CHAFF DECK KIT, SUIT CLAAS MACHINE WITH OLD AXLE
ECD-CL03H	CHAFF DECK KIT, SUIT CLAAS MACHINE WITH HYDRAULIC SPREADER
ECD-CL03M	CHAFF DECK KIT, SUIT CLAAS MACHINE WITH MECHANICAL SPREADER

REV.	DRAWING REVISION	DATE	BY	CHKD	DRAWING NOTES
					FINISH : NA

TOLERANCES IF NOT SPECIFIED (COARSE SERIES)	
LINEAR:	INDIVIDUAL DIMENSION
OVER TO	50 100 400 1000 6000
TOL.	±0.5 ±0.8 ±1.2 ±2.0 ±3.0 ±5.0
ANGULAR:	
FORMED:	±1° OTHER: ±0.5°

THIS DOCUMENT IS THE PROPERTY OF PRIMARY SALES AUSTRALIA. IT MUST NOT BE REPRODUCED, COPIED OR OTHERWISE COMMUNICATED TO ANY THIRD PARTY WITHOUT THE WRITTEN CONSENT OF PRIMARY SALES AUSTRALIA.

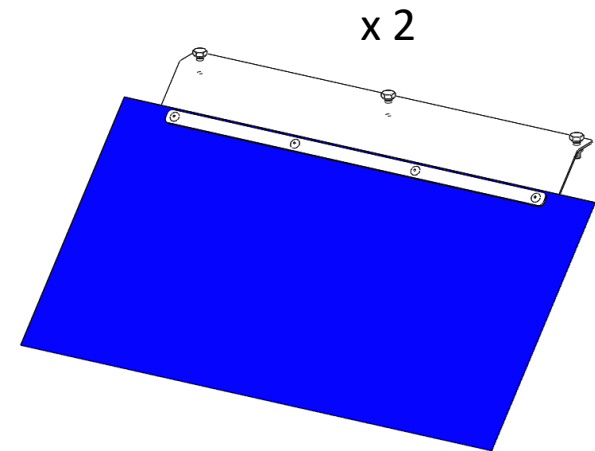


TITLE		PART NO		WEIGHT(S)	
CHAFF DECK DECK KIT, SUIT CLAAS HARVESTER		-		227.5	
DRN BY	DRN DATE	DRAWING NO	REVISION		
WBT	29/05/2019	ECD-CL03	-		
CHD BY	CHD DATE				
GBJ	29/05/2019				



**Fit sieve chute tray extension curtains
Item 20**

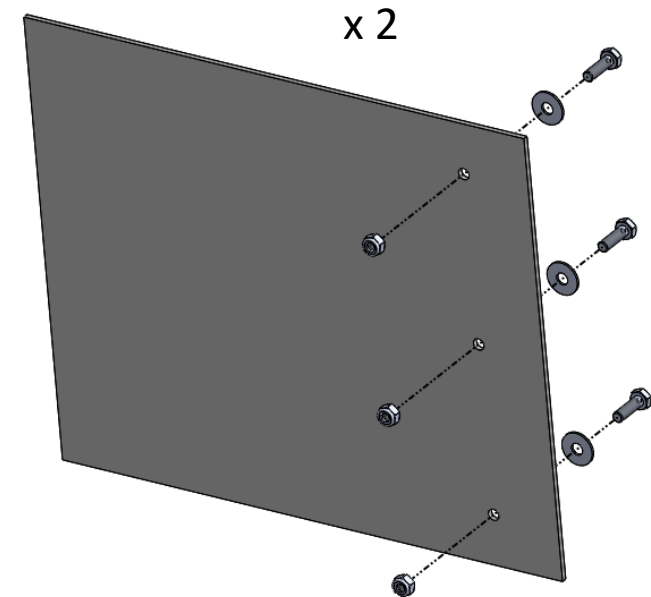
Drill three x 6mm holes each side and tighten bolts.

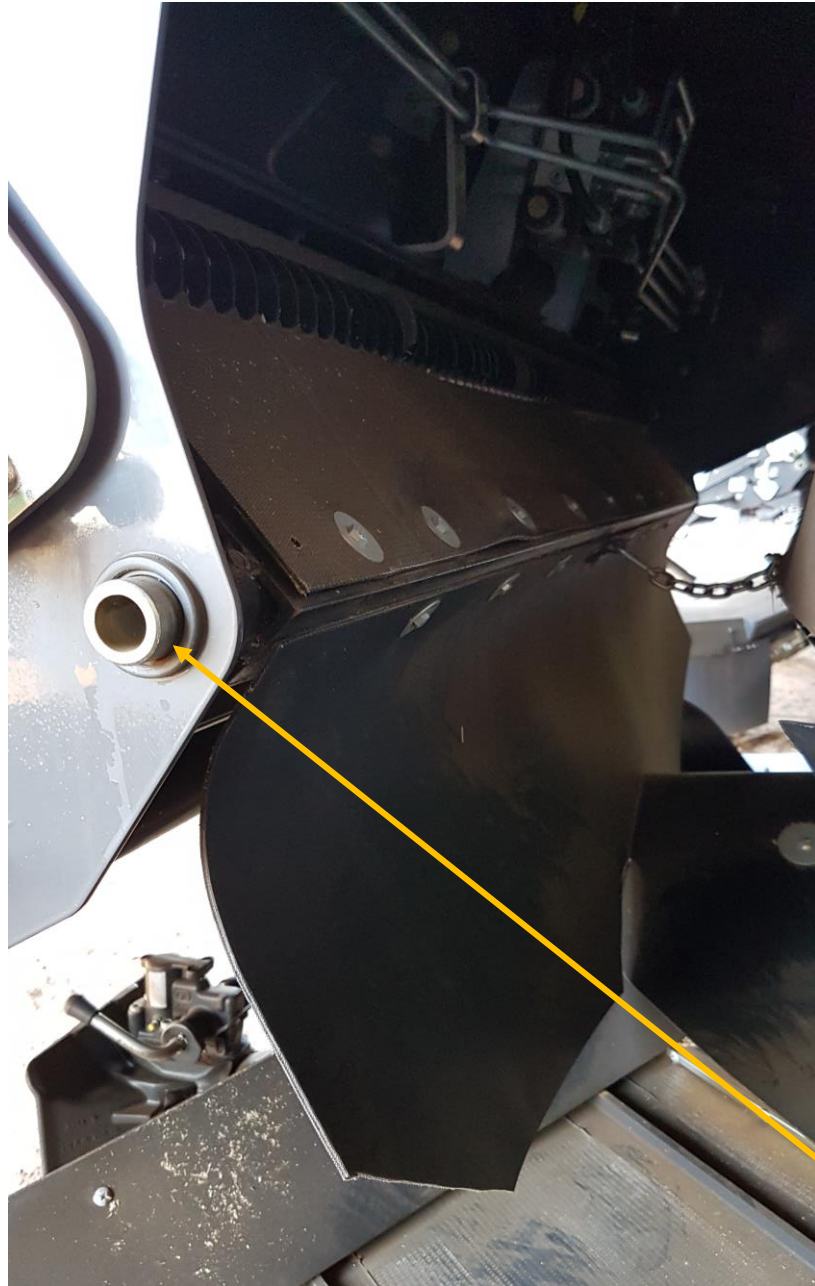




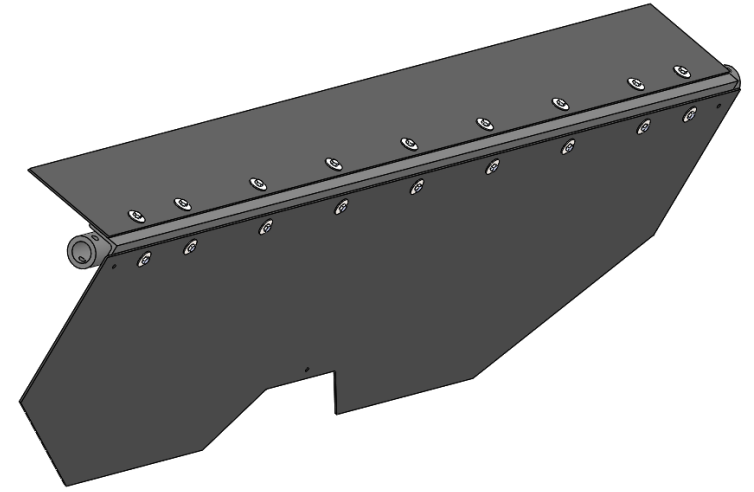
**Fit sieve chute tray side extensions each side
Item 13**

Drill three x 6mm holes each side and tighten
bolts.



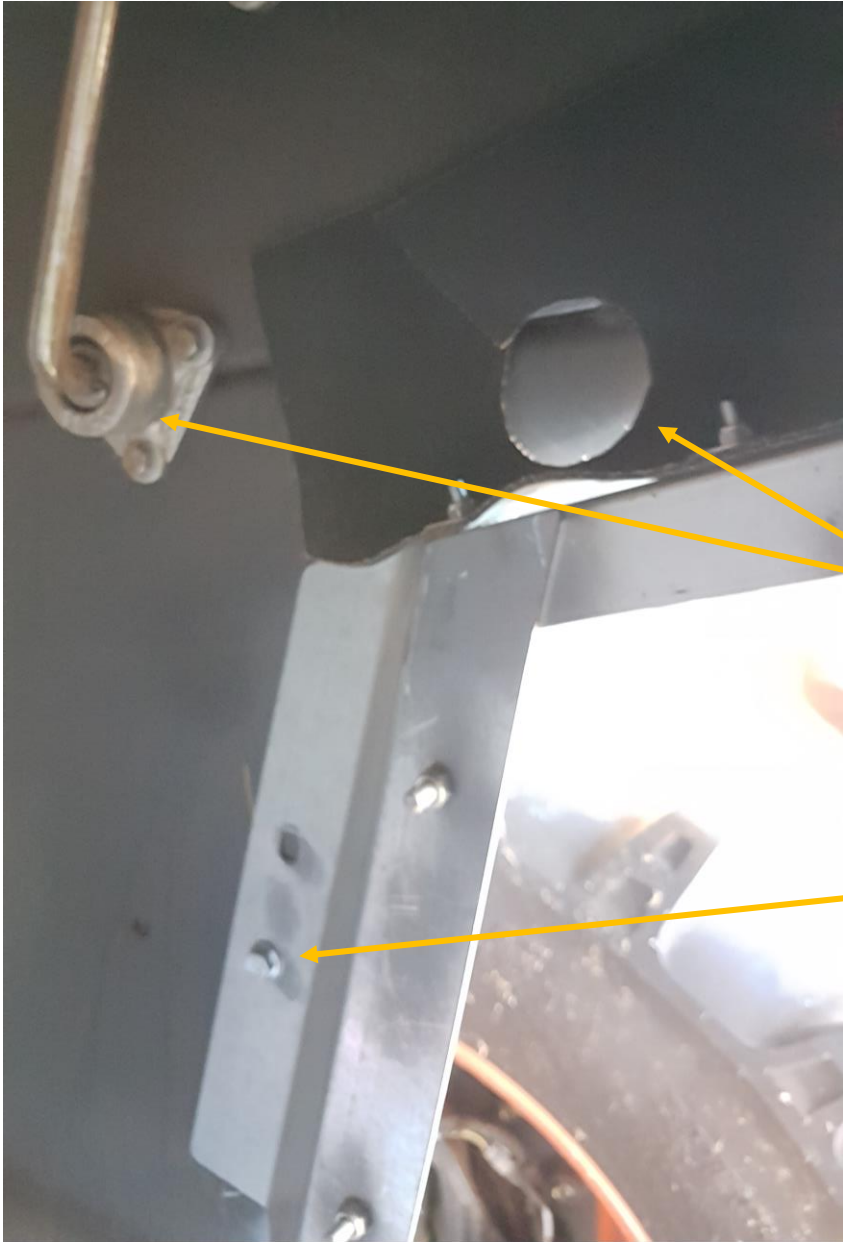


**Fit rear curtain
Item 3**



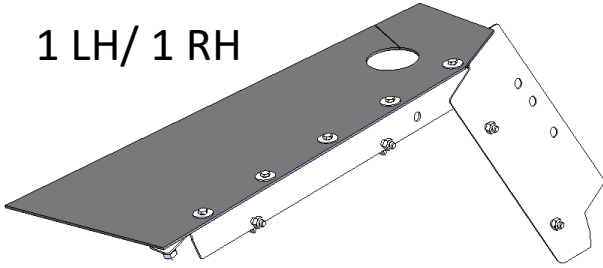
Replace stub sleeve from spinner

Replace roll pin (spring pin)



View from inside of harvester

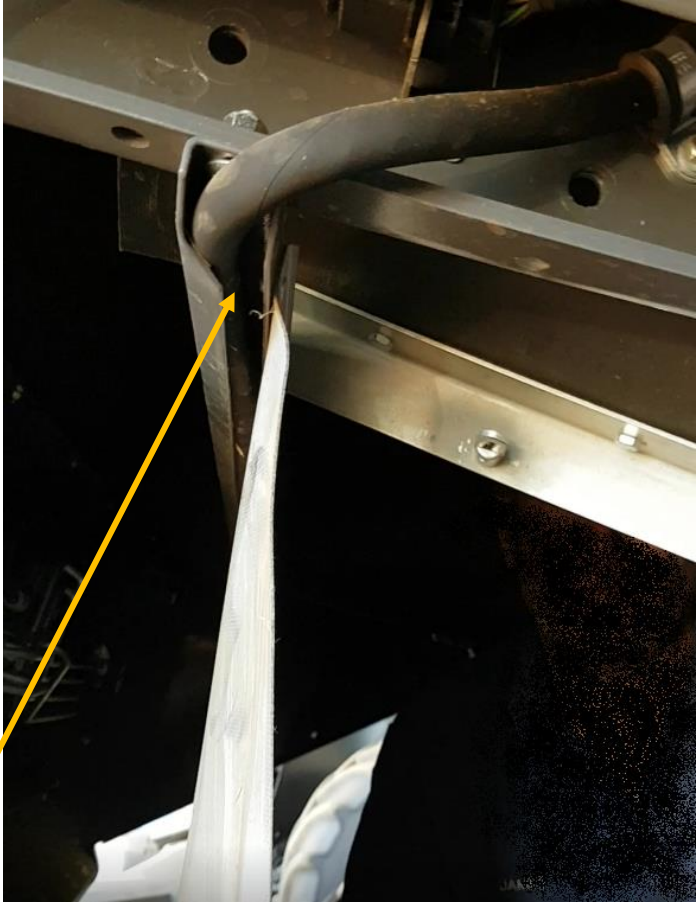
**Fit side shroud brackets
Item 15**



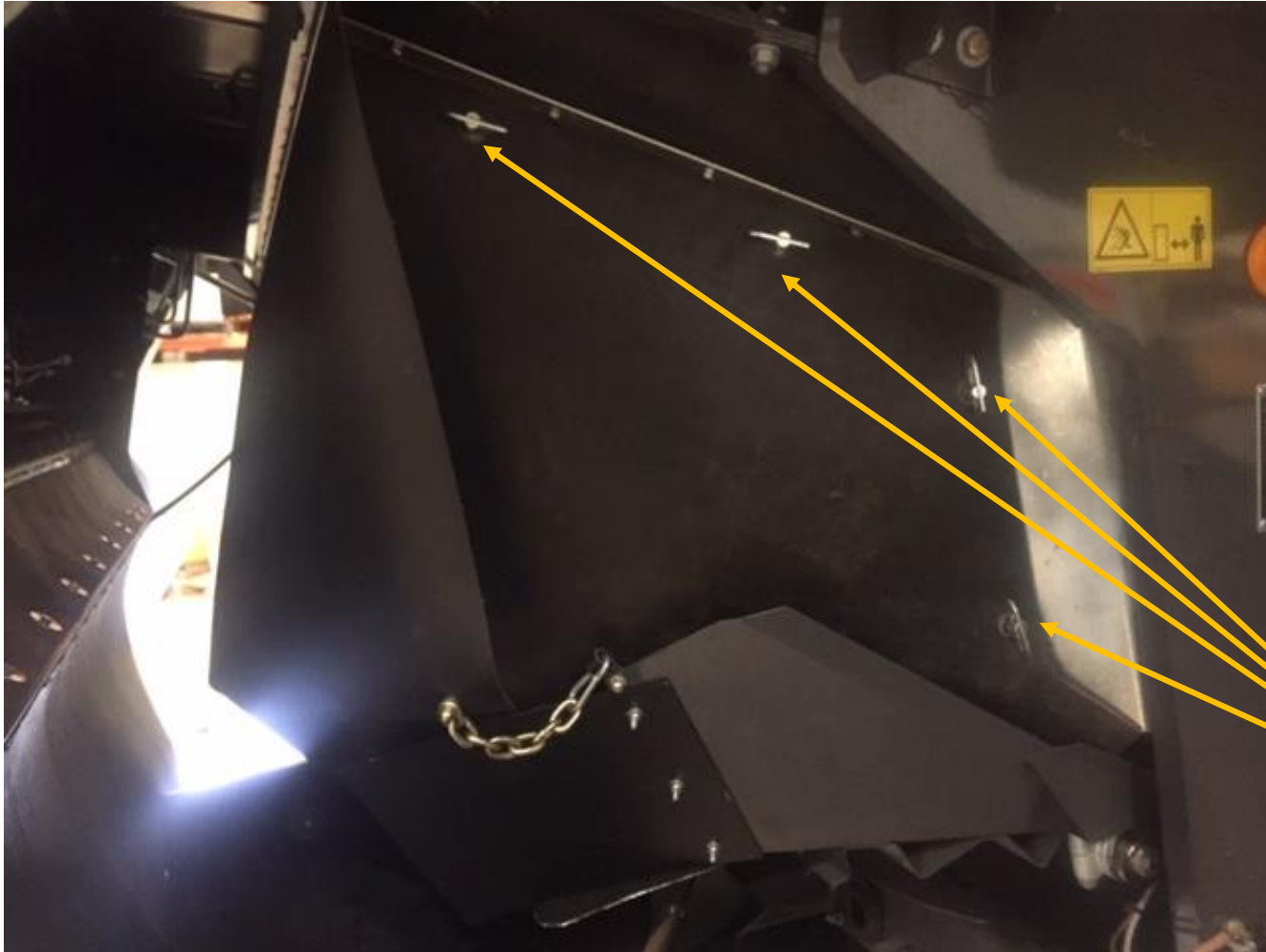
Note: rubber hole cutout required for some models which have shaker arm further towards rear.

Fit bolt (or 2 bolts on some models)

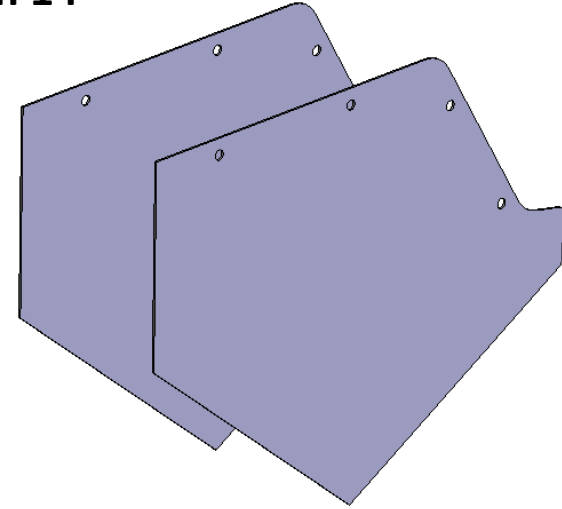
Remove fuel hose and drill 8mm hole in top of support. Fit bolt and refit hose.



View from outside of harvester



**Fit side shrouds
Item 14**



Fit side shrouds using the 4
antiluce fasteners each side



Before installing shroud

Fit sieve rear corner shrouds Item 17

Position shroud hard up
against end of sieve.

Drill 2 x 6mm holes
each side and fit bolts.

